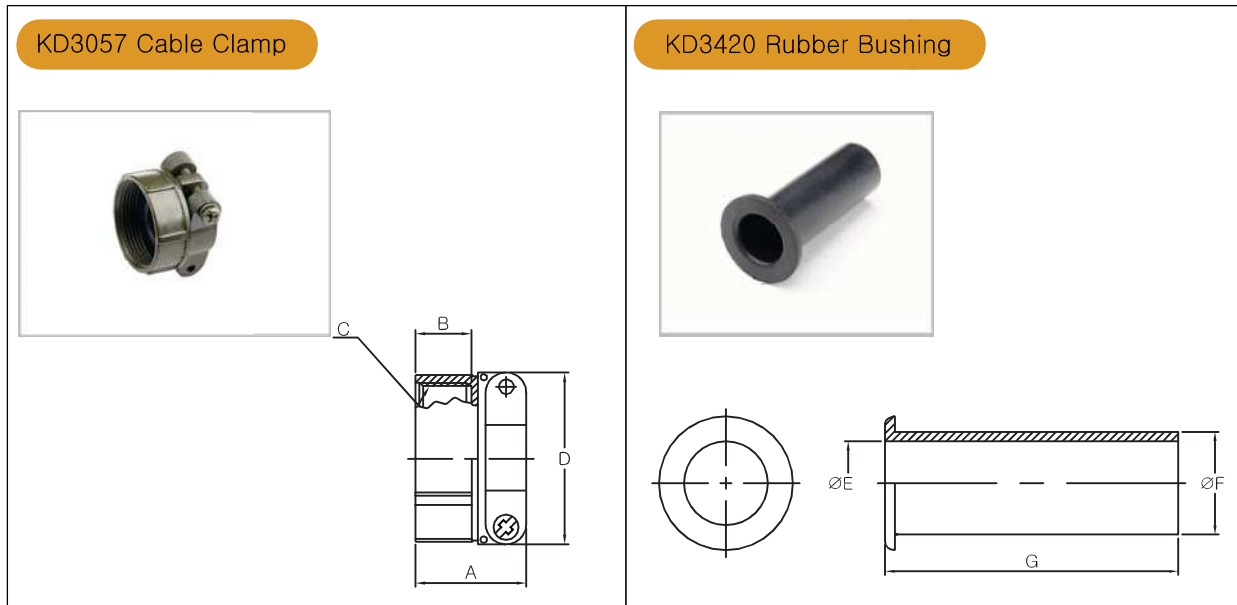


KD CONNECTORS [MIL-DTL-5015]

▶ Accessory / 부속품



Dash NO.		Shell Size	A	B	C	D	ØE	ØF	G
KD3057	KD3420		$\pm .031$ (± 0.78)	$\pm .031$ (± 0.78)	Tread-2B	$\pm .031$ (± 0.78)	$\pm .016$ (± 0.40)	$\pm .016$ (± 0.40)	$\pm .031$ (± 0.78)
- 4A	4	10SL 12S, 12	.812 (20.62)	.406 (10.31)	5/8-24UNEF	.875 (22.23)	.220 (5.59)	.302 (7.67)	2.748 (69.8)
- 6A	6	14S, 14	.875 (22.23)	.406 (10.31)	3/4-20UNEF	1.062 (26.97)	.312 (7.92)	.427 (10.85)	2.626 (66.7)
- 8A	8	16S, 16	.938 (23.83)	.406 (10.31)	7/8-20UNEF	1.156 (29.36)	.437 (11.10)	.552 (14.02)	2.500 (63.5)
- 10A	10	18	.938 (23.83)	.406 (10.31)	1-20UNEF	1.250 (31.75)	.562 (14.27)	.615 (15.62)	2.374 (60.3)
- 12A	12	20, 22	.938 (23.83)	.406 (10.31)	1 3/16-18UNEF	1.469 (37.31)	.625 (15.88)	.740 (18.80)	2.252 (57.2)
- 16A	16	24, 28	1.031 (26.19)	.406 (10.31)	1 7/16-18UNEF	1.688 (42.88)	.750 (19.05)	.927 (23.55)	2.126 (54.0)
- 20A	20	32	1.094 (27.79)	.469 (11.91)	1 3/4-18UNS	2.031 (51.59)	.937 (23.80)	1.240 (31.50)	2.000 (50.8)
- 24A	24	36	1.156 (29.36)	.531 (13.49)	2-18UNS	2.281 (57.94)	1.250 (31.75)	1.365 (34.67)	1.874 (47.6)

inch
(mm)